

Practice 11.4

Name _____

Determine whether the test point is a solution to the linear inequality.

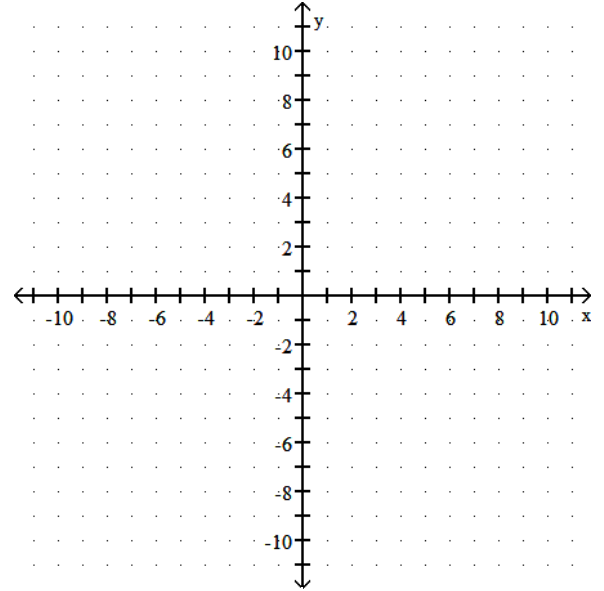
1) $(3, -5), x - y \geq 9$

2) $(-2, 1), -x - 3y \leq -1$

3) $(5, -3), x - y \geq 9$

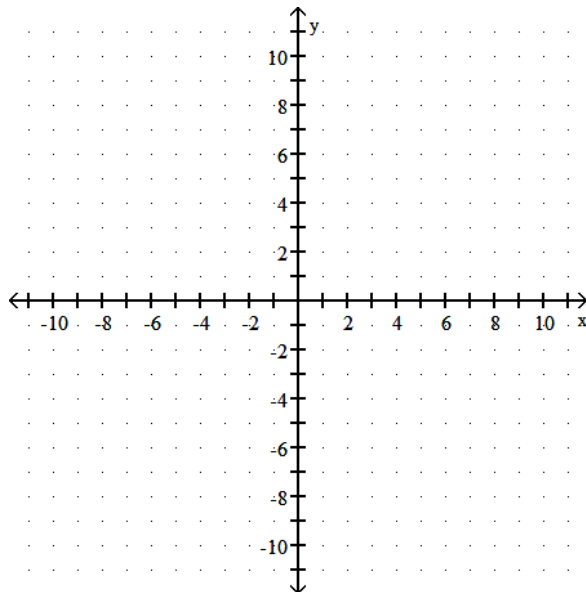
4) $(-8, 3), -x - 3y \leq -1$

6) $x \geq 6$

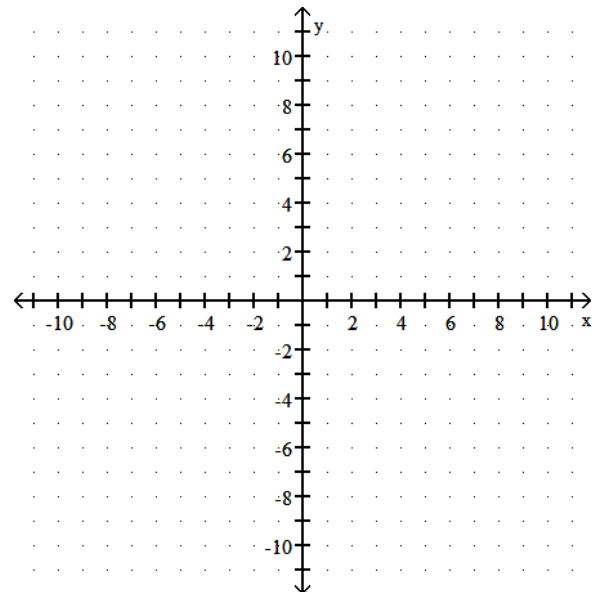


Graph the linear inequality in two variables.

5) $2x + y \leq 3$



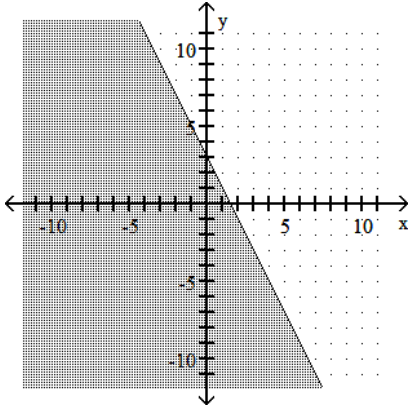
7) $y \geq 3x$



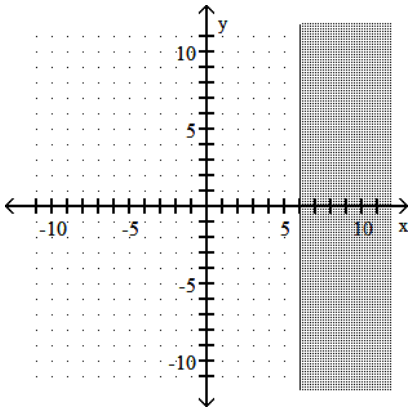
Answer Key

Testname: WKS_11.4

- 1) No
- 2) Yes
- 3) No
- 4) Yes
- 5)



6)



7)

